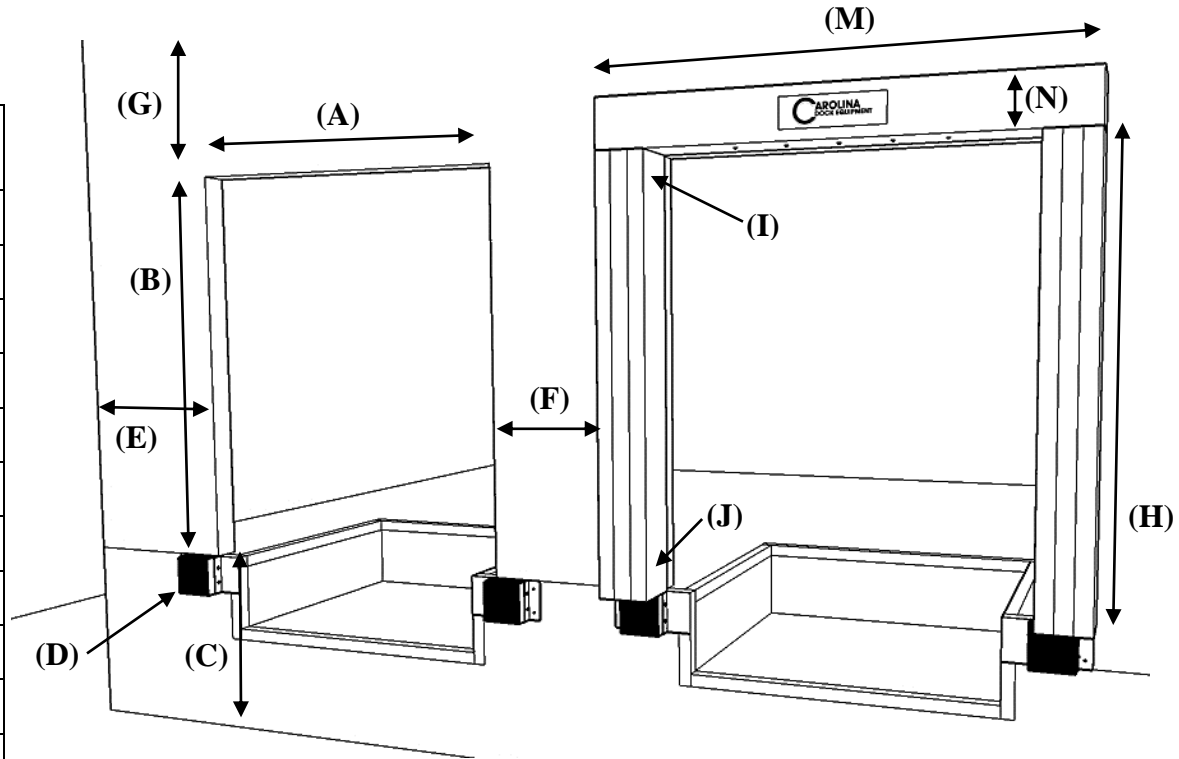
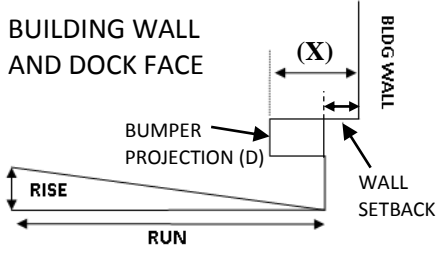
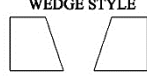





SITE SURVEY FORM

SUGGESTED TAPER	% GRADE	BUMPER PROJECTION
0	0%	4"
1"	1%	6"
2"	2%	6"
3"	3%	8"
4"	4%	8"
5"	5%	10.5"
7"	6%	12"
8"	7%	12"
9"	8%	14"
10"	9%	14"
11"	10%	16"



OPENING WIDTH (A)		BASE FABRIC:		<input type="checkbox"/> 22oz VINYL	<input type="checkbox"/> 40oz VINYL
OPENING HEIGHT (B)		WEAR PLEATS:		<input type="checkbox"/> 22oz VINYL	<input type="checkbox"/> 40oz VINYL
DOCK HEIGHT (C)		PLEAT EXPOSURE:		<input type="checkbox"/> 4"	<input type="checkbox"/> 8" <input type="checkbox"/> 16"
BUMPER PROJECTION (D)		SIDE PAD		HEAD PAD	
SIDE ROOM TO NEAREST OBJECT	(E)	(F)	HEIGHT (H):	<input type="checkbox"/> PAD	<input type="checkbox"/> CURTAIN
HEAD ROOM TO NEAREST OBJECT (G)		TOP PROJ (I):		PROJECTION	
		BTM PROJ (J):		WIDTH (M):	
		WIDTH BACK:		HEIGHT (N):	
<input type="checkbox"/> FLUSH <input type="checkbox"/> OFFSET (X) = _____		WIDTH FACE:		FLAP:	
APPROACH GRADE % SLOPE = RISE / RUN (50')		OPTIONS:		<input type="checkbox"/> FIXED CURTAIN <input type="checkbox"/> VELCRO SPLITS <input type="checkbox"/> FOAM FACE <input type="checkbox"/> LOGO _____ <input type="checkbox"/> _____	WEDGE STYLE <input type="checkbox"/>   <input type="checkbox"/>   TYPE B SQUARE

NAME:

JOB NAME: