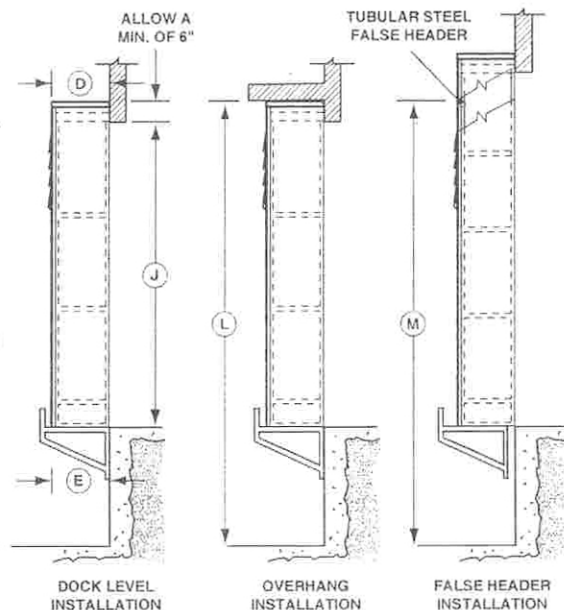
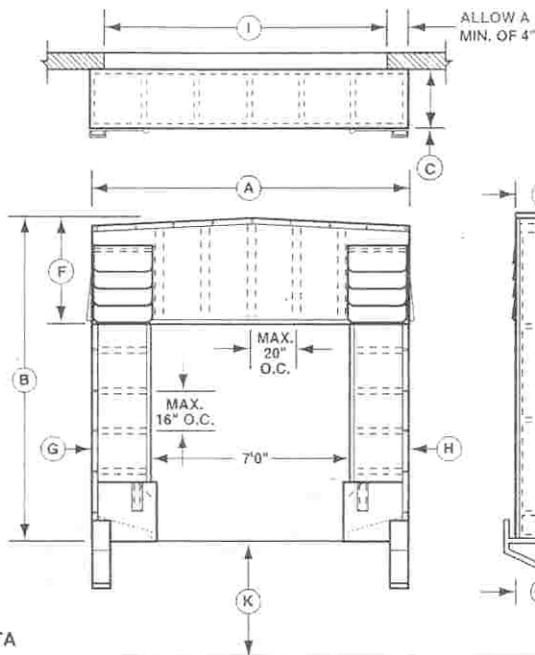
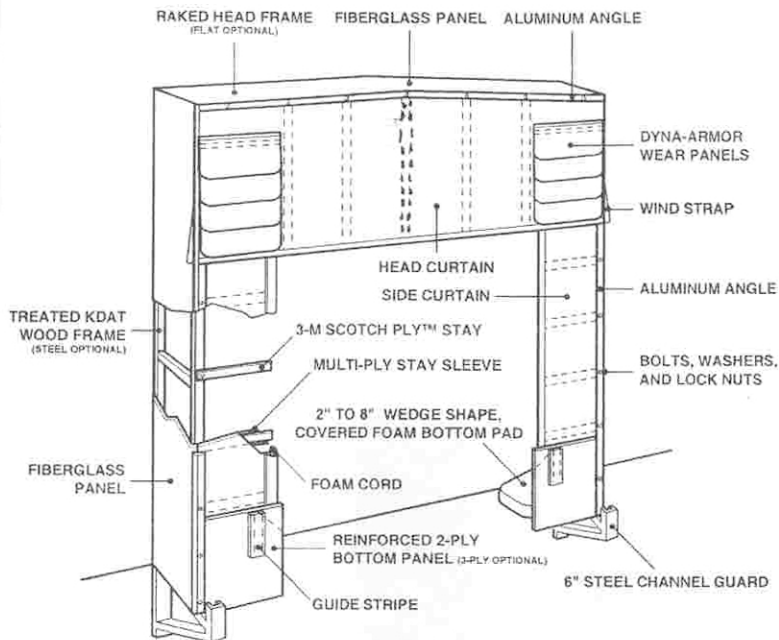
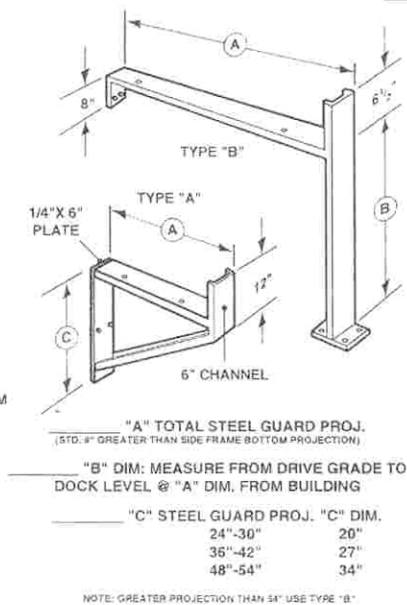
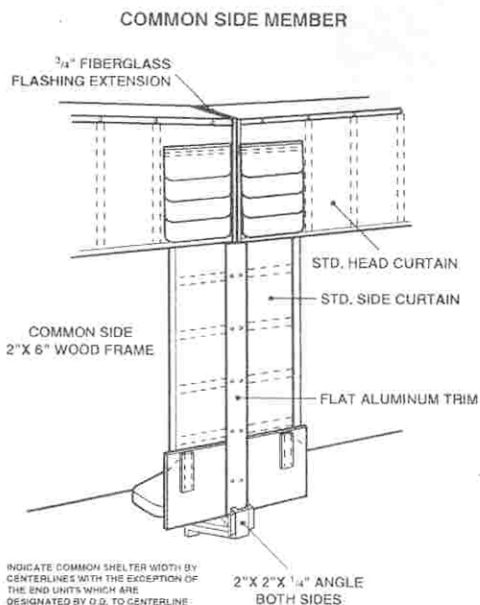


# SERIES 2000 RIGID TRUCK SHELTER



## STEEL GUARD DATA



## PLAN VIEW

TYPE		OPTIONAL EQUIPMENT	
<input type="checkbox"/> DOCK LEVEL	<input type="checkbox"/> "D" SIDE FRAME TOP PROJ.	<input type="checkbox"/> FULL "Z" (STAY PATTERN TOP OF SIDE CURTAIN)	
<input type="checkbox"/> OVERHANG	<input type="checkbox"/> "E" SIDE FRAME BOTTOM PROJ.	<input type="checkbox"/> 3-PLY BOTTOM REINFORCEMENT (BOTTOM OF SIDE CURTAIN)	
<input type="checkbox"/> FALSE HEADER	<input type="checkbox"/> "F" HEAD CURTAIN LENGTH	<input type="checkbox"/> COMMON SIDE MEMBER	
<input type="checkbox"/> GROUND LEVEL (NOT SHOWN)	<input type="checkbox"/> "G" LEFT SIDE CURTAIN WIDTH	<input type="checkbox"/> TUBULAR STEEL FRAME <input type="checkbox"/> PAINTED <input type="checkbox"/> GALVANIZED	
<input type="checkbox"/> CANTILEVER DOCK (NOT SHOWN)	<input type="checkbox"/> "H" RIGHT SIDE CURTAIN WIDTH	<input type="checkbox"/> FLAT HEAD FRAME <input type="checkbox"/> 2X4 WOOD <input type="checkbox"/> TUBULAR STEEL	
<input type="checkbox"/> SET BACK WALL (NOT SHOWN)	<input type="checkbox"/> "I" DOOR WIDTH	<input type="checkbox"/> ACCESS DOOR (LARGE PROJ. SIDE FRAMES, ONLY)	
	<input type="checkbox"/> "J" DOOR HEIGHT	<input type="checkbox"/> PULL ROPE (ROPE & PULLEYS TO RAISE HEAD CURTAIN)	
	<input type="checkbox"/> "K" DOCK HEIGHT	<input type="checkbox"/> BOTTOM FILLER PANEL (GROUND LEVEL UNITS ONLY)	
	<input type="checkbox"/> "L" DIM. TO OVERHANG		
	<input type="checkbox"/> "M" DIM. TO FALSE HEADER (STD. INSTALLED @ 15" ABOVE GRADE)		
FABRIC			
<input type="checkbox"/> DYNALON	<input type="checkbox"/> 1003		
<input type="checkbox"/> 1001	<input type="checkbox"/> 1006		
<input type="checkbox"/> 1002	<input type="checkbox"/> 1007		
DIMENSIONS			
"A" SHELTER WIDTH (6" INCREMENTS) (RECOMMENDED 11'-0" MIN. - 17'-0" MAX.)			
"B" SHELTER HEIGHT (6" INCREMENTS) (RECOMMENDED 11'-0" MIN. - 15'-0" MAX. EXCEPT GROUND LEVEL TYPE)			
"C" HEAD FRAME PROJ.			
JOB:		ARCHITECT:	
LOCATION:		APPROVED BY SIGNATURE:	
CONTRACTOR:			